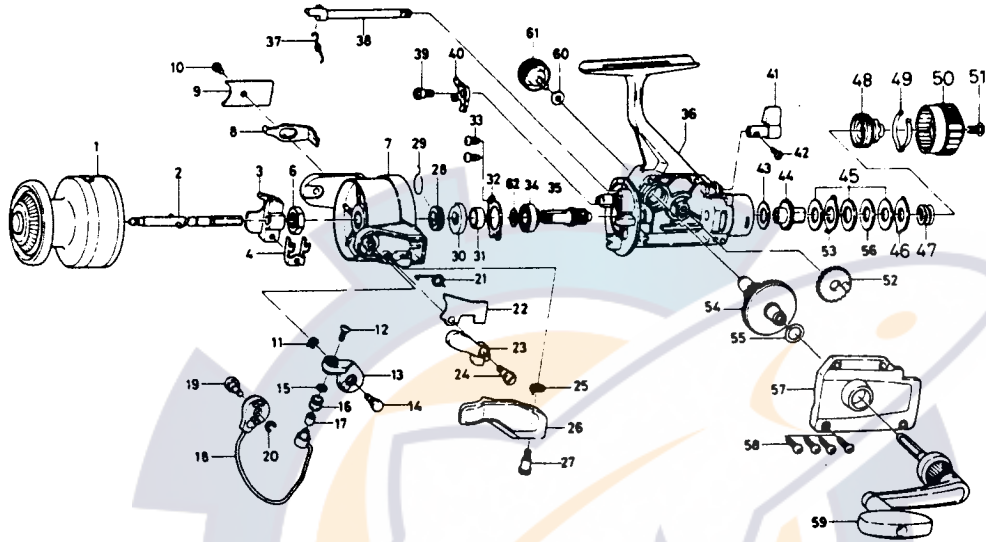




SPINNING REEL AG1655A/2055A



Key No.	Parts No.	Parts Name	Key No.	Parts No.	Parts Name
1	K10-8501	Spool	38	B83-6001	Anti-reverse cam
2	B83-9801	Main shaft	39	K03-2901	Anti-reverse pawl screw
3	E08-7801	Oscillating slider	40	K02-3301	Anti-reverse pawl
4	B93-7202	Oscillating slider retainer	41	E08-6102	Anti-reverse lever
6	B10-5701	Rotor nut	42	B12-8201	Anti-reverse lever screw
7	B82-1901	Rotor	43	B46-9505	Drag washer A
8	B83-6701	Bail trip lever	44	B76-9803	Click gear
9	B76-9701	Bail trip cover	45	E14-3301	Drag washer B
10	B83-4402	Bail trip cover screw	46	B83-9501	Eared washer A
11	320-5901	Bail arm screw retainer	47	K02-6701	Drag coil spring
12	B67-9302	Line roller screw	48	B77-0004	Drag screw
13	B67-4601	Bail arm	49	B77-0301	Drag washer spring
14	B83-3801	Bail arm screw	50	K05-0202	Drag knob
15	B55-4301	Line roller washer A	51	352-1107	Drag knob spring screw
16	250-3921	Line roller	52	B74-3701	Oscillating gear
17	B45-1501	Line roller bushing	53	K05-0301	Eared washer B
18	K10-7702	Bail	54	K10-5601	Drive gear
19	B83-4202	Bail trip cam screw	55	373-7800	Drive gear washer
20	320-5901	Bail trip cam screw retainer	56	E02-4401	key washer
21	K04-9901	Bail spring	57	K10-8002	Side cover
22	B83-6401	Bail spring cover	58	B83-5002	Side cover screw
23	B76-9301	Trigger plate	59	E00-2502	Handle
24	K03-7302	Bail spring cover screw	60	B92-4902	Handle lock washer
25	B67-5201	Trigger spring	61	B92-5001	Handle lock screw
26	B67-5107	Trigger lever	62	K10-5701	Bushing washer
27	K03-7302	Trigger screw			
28	B68-6401	Spring holder			
29	145-0901	Anti-reverse pawl spring			
30	B67-4301	Anti-reverse ratchet			
31	K03-1701	Spacing sleeve			
32	B35-6301	Bearing retainer			
33	B83-4402	Bearing retainer screw			
34	K10-5801	Bushing			
35	K10-5501	Pinion gear			
36	K05-2201	Body			
37	144-0321	Anti-reverse cam spring			

AG2055 A Special Parts		
1	E08-7402	Spool
7	B82-2101	Rotor
8	B83-7301	Bail trip lever
18	K10-7902	Bail
36	K05-2202	Body
57	E08-6203	Side cover
59	E00-2802	Handle